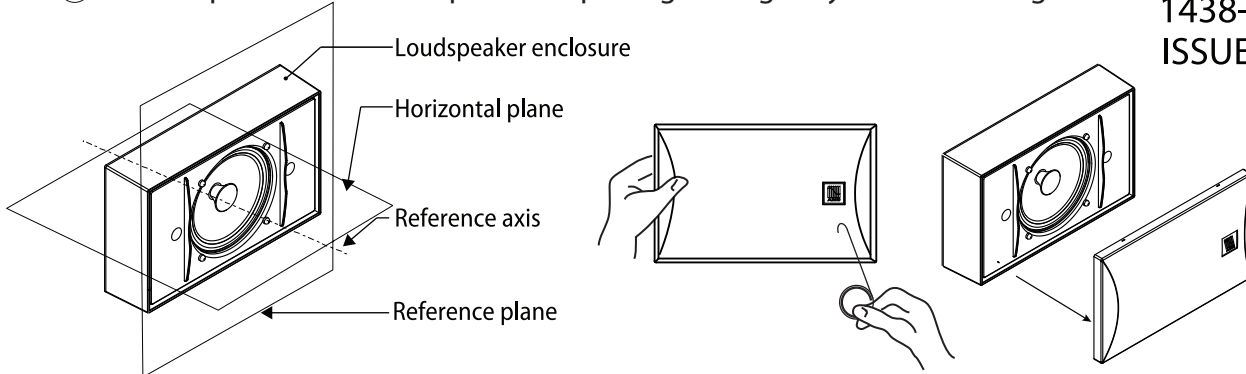


INSTALLATION MANUAL

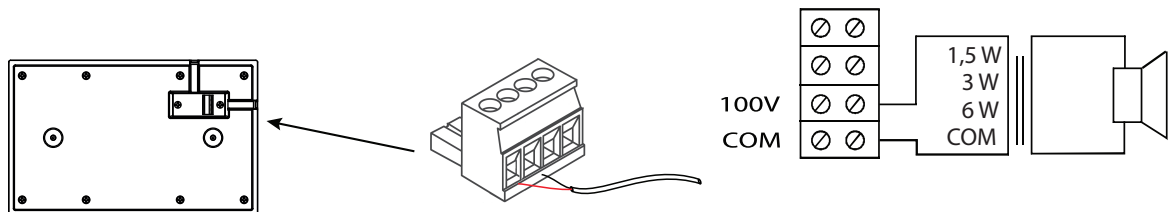
AMC 2016 - 002 Revision 2018-05-25

EN54-24:2008
1438-CPR-0508
ISSUE DATE: 17
TYPE A

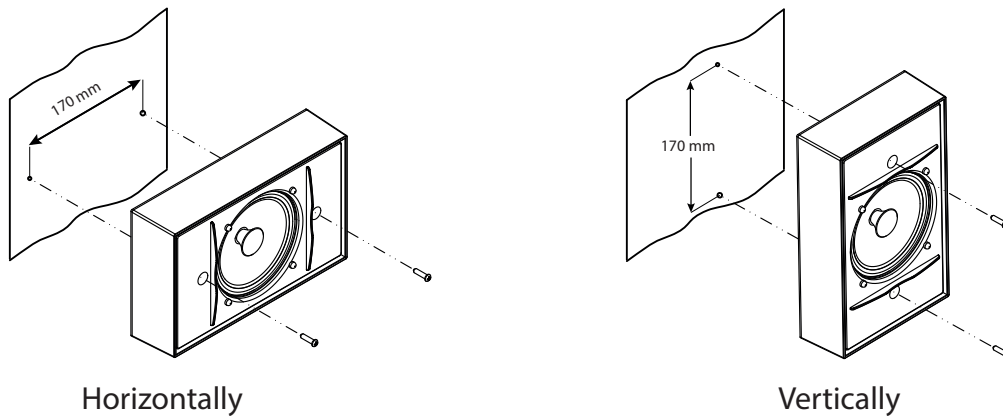
- ① Take a special tool from iSpeak 5EN package and gently remove front grill.



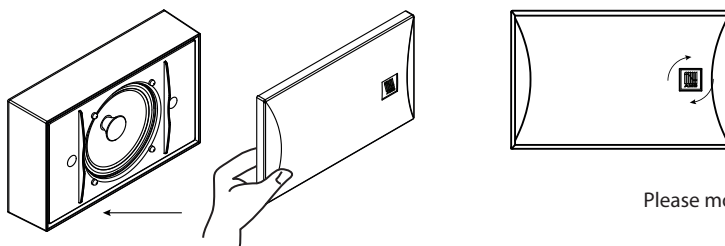
- ② Connect audio cable to the Phoenix connector located on the rear panel. Power taps are marked near the connector.



- ③ Fix the loudspeaker on the wall vertically or horizontally.
(Distance between the mounting points - 170 mm)



- ④ Mount the grill on the loudspeaker and set correct AMC logo direction.



Please mount loudspeaker on the reliable base only!