

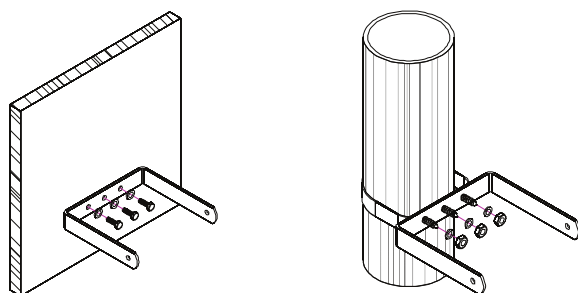
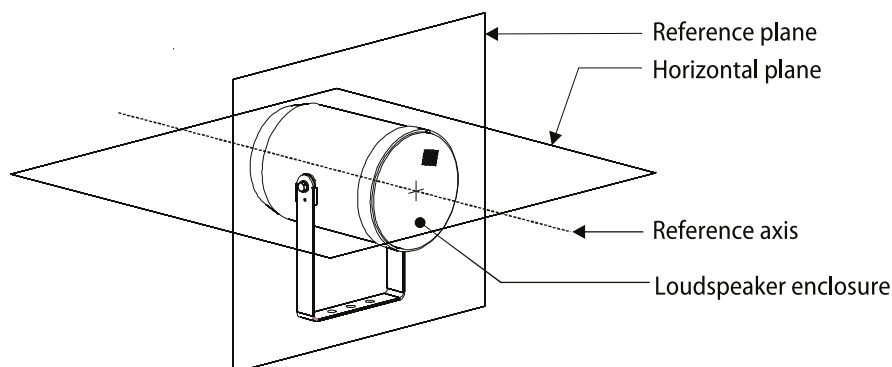
# SP 10EN Loudspeaker for voice alarm systems

## INSTALLATION MANUAL

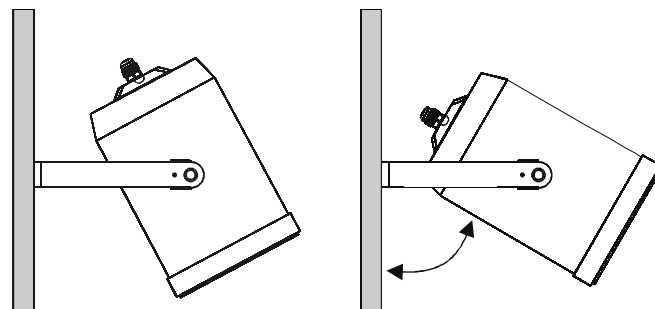


AMC 2016 - 004 Revision 2018-05-25

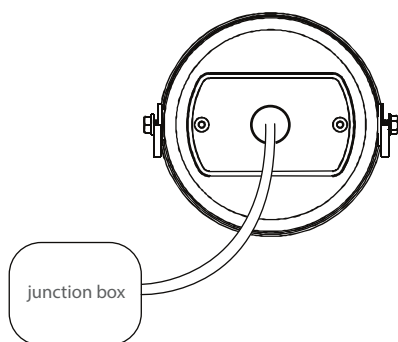
EN54-24:2008  
1438-CPR-0507  
ISSUE DATE: 17  
TYPE B



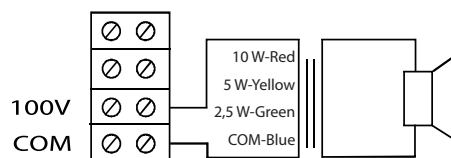
1) Remove the "U" bracket from the speaker. Drill the mounting location holes for the unit in line with the "U" bracket (2 holes 30 millimeters apart) in the surface where the loudspeaker is to be located.



3) Re-fit the speaker to the "U" bracket. Position the speaker to the desired angle then tighten the fixings to secure in place. Before connecting the speaker circuit to the power amplifier we strongly advise that the impedance of the circuit is checked to ensure it is fault free in order to prevent damage to the speaker and or amplification.



2) Connect speaker cable to audio line inside the electrical junction box, by using block terminal. The unused power tap should be isolated or fixed to free terminal block pin. Speaker's cable color and power: blue - COM, green - 2.5W, yellow - 5W, red - 10W Junction box and block terminal are not supplied.



**SP 10EN Circuit diagram**

Other technical data: see on doc. AMC 2017 - 01